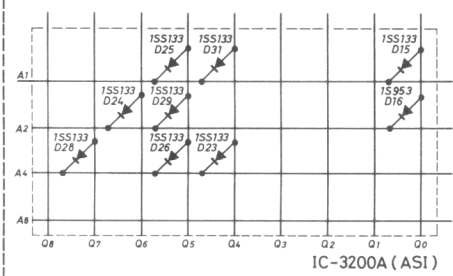
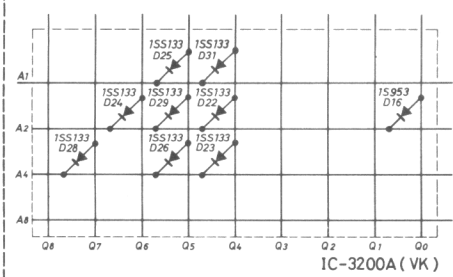
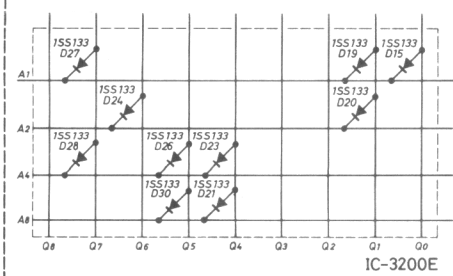
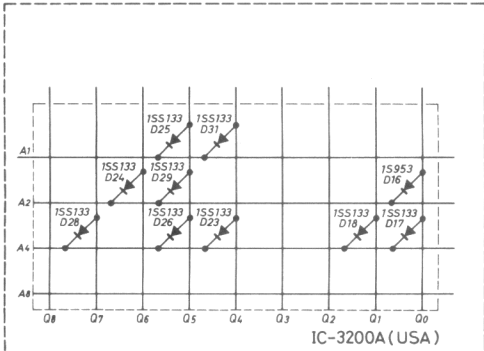
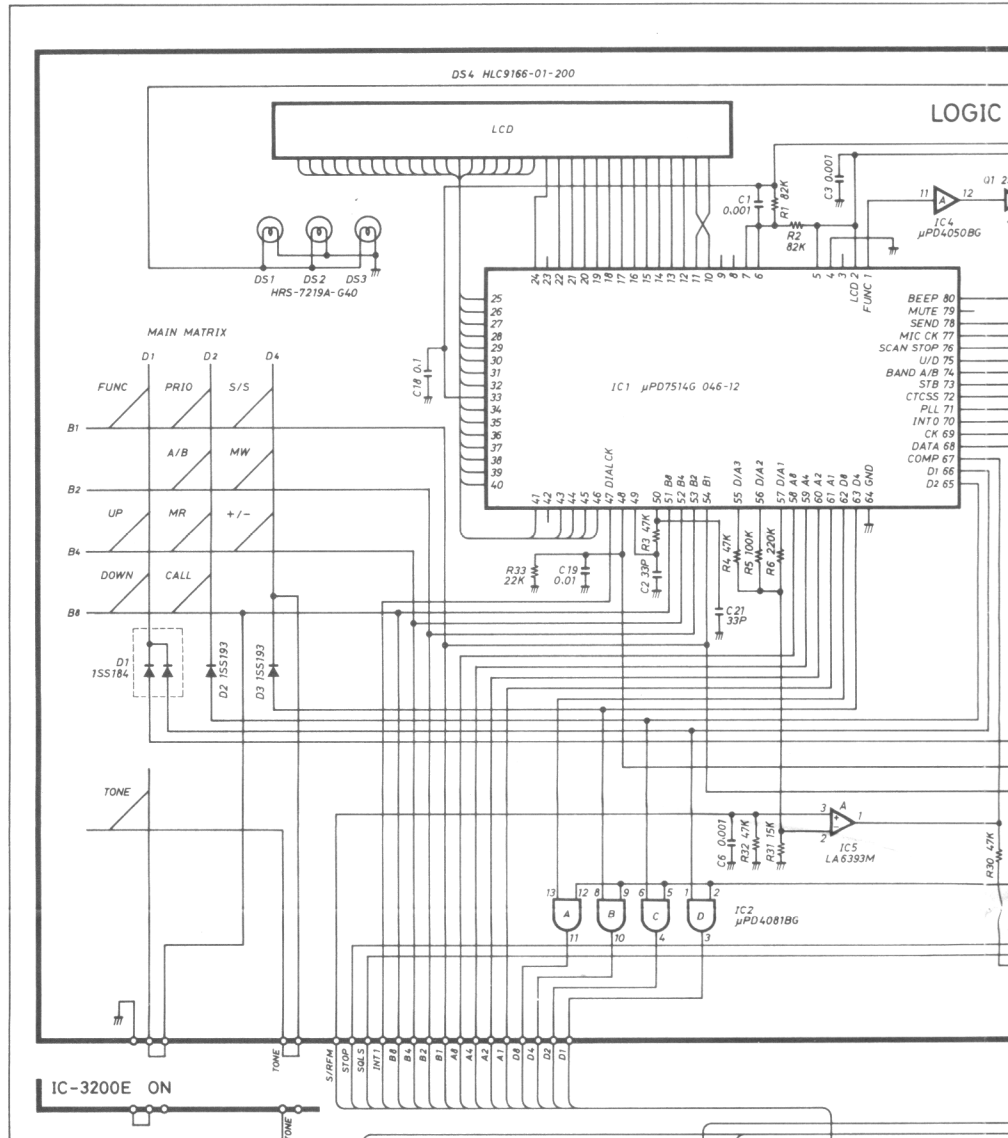
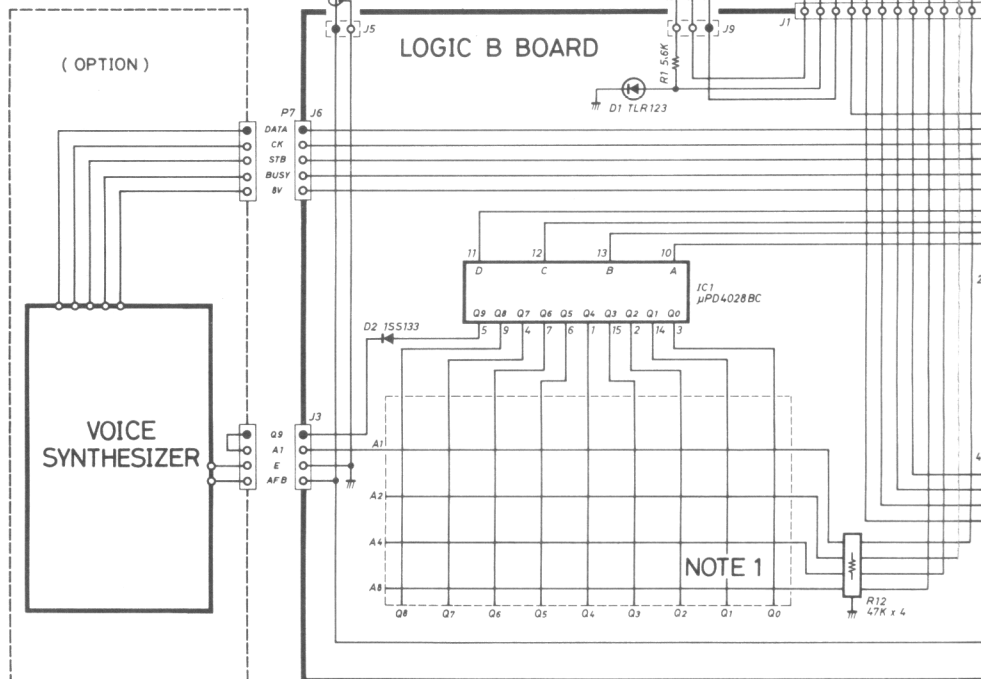


# IC-3200

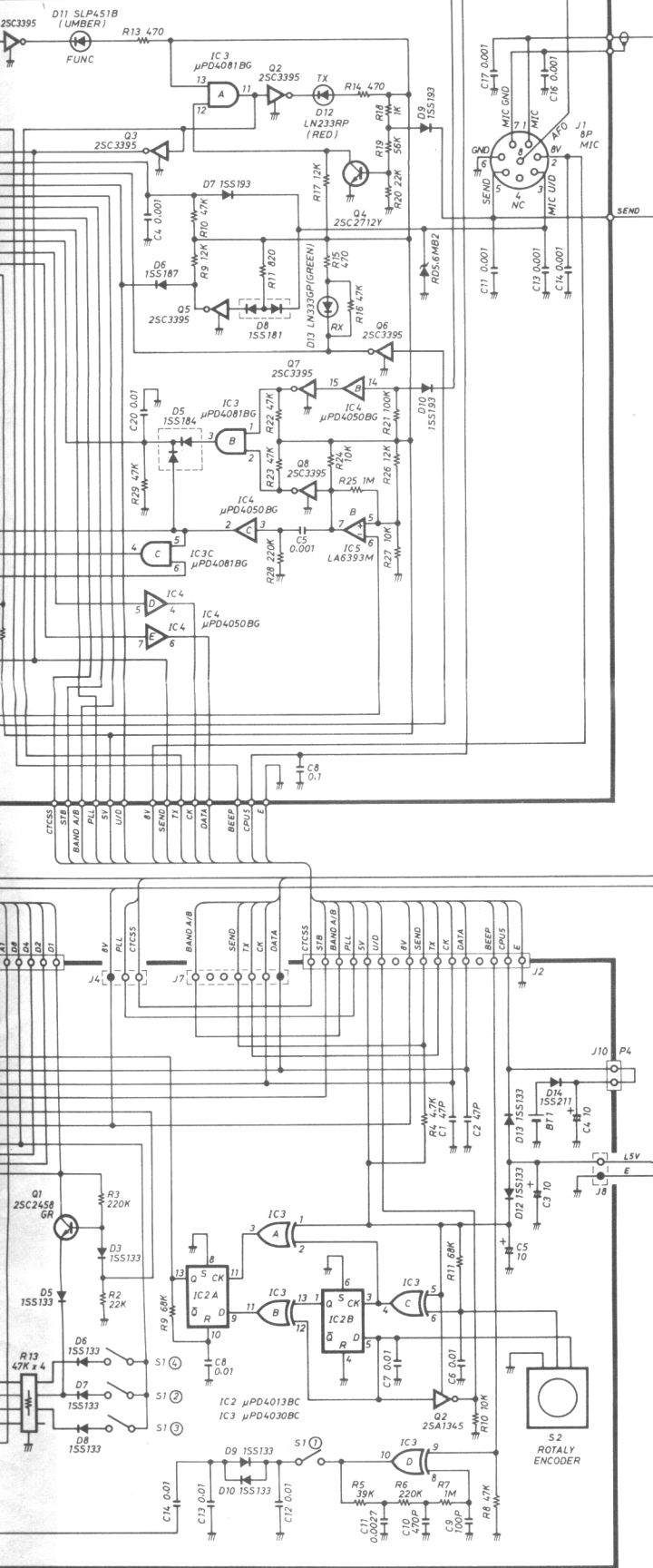


NOTE 1

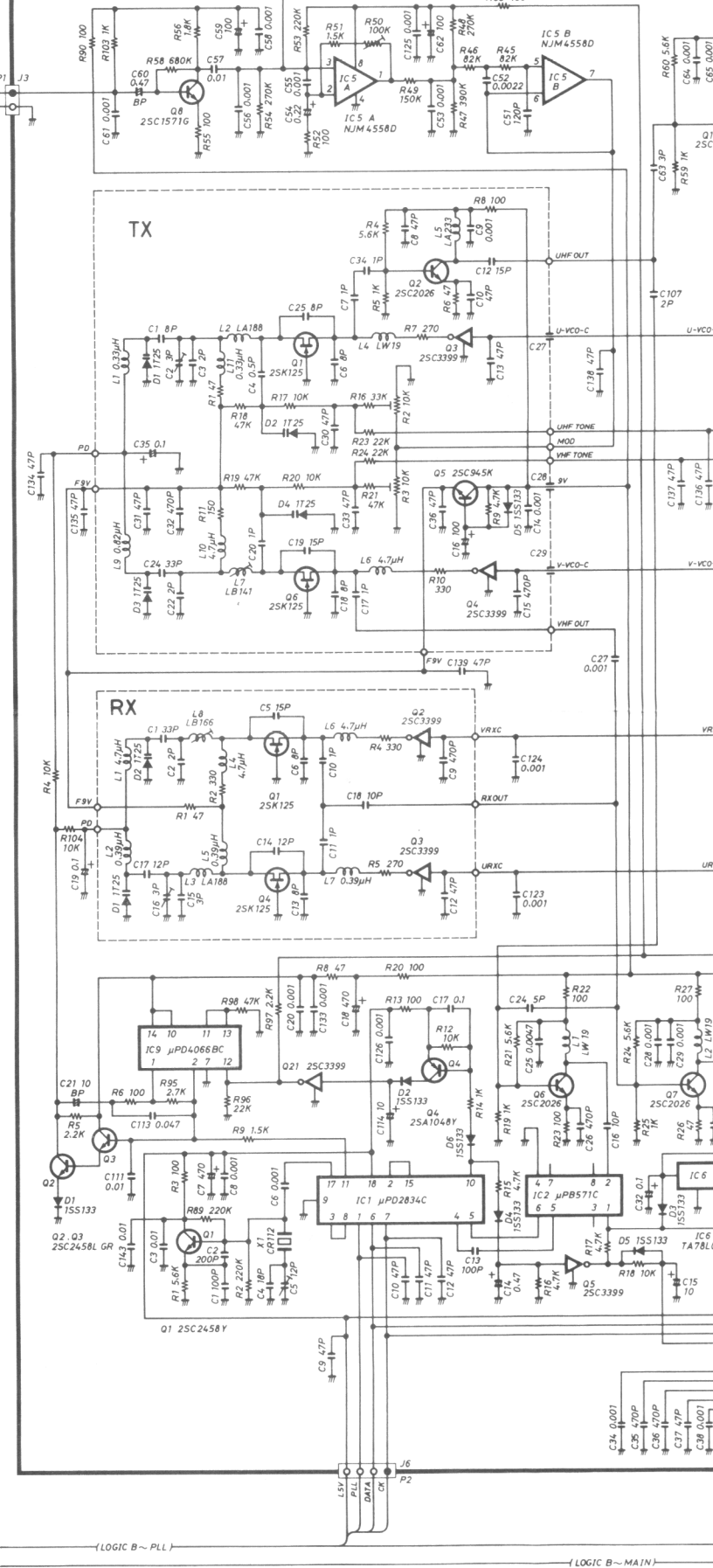


# A/E SCHEMATIC DIAGRAM

## A BOARD

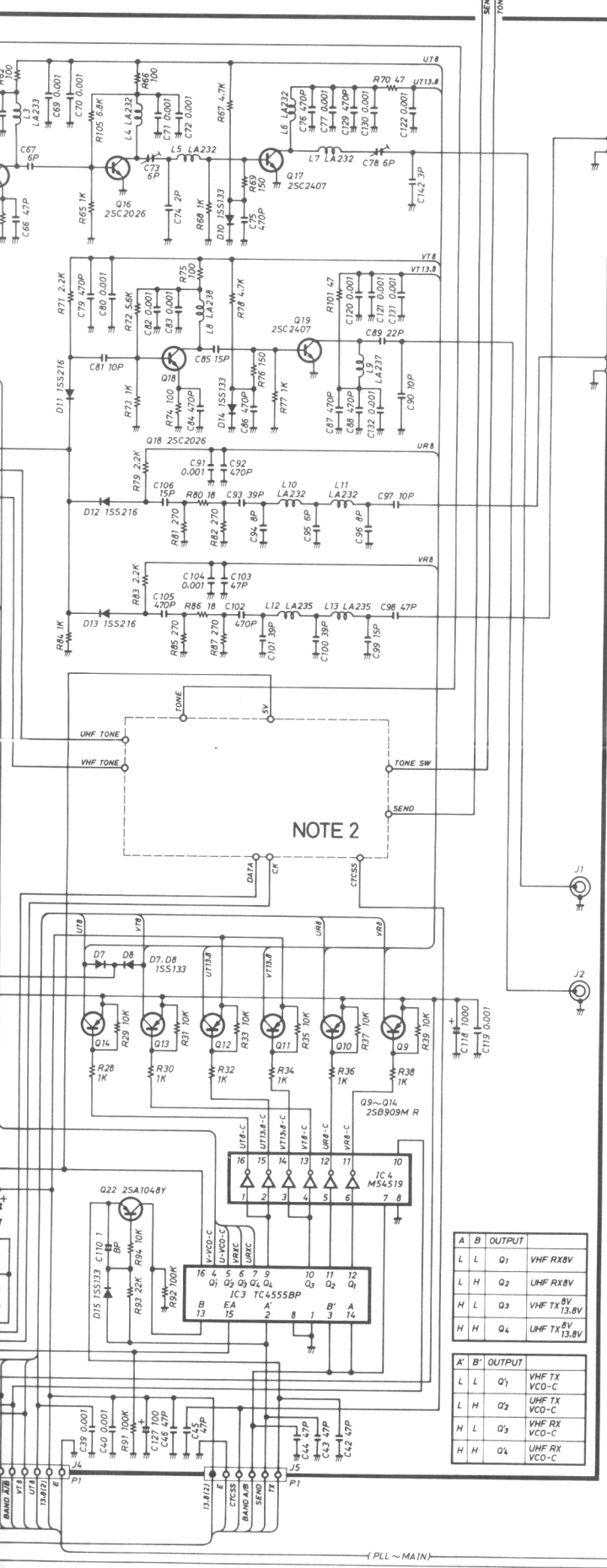


## PLL BOARD



(LOGIC B ~ PLL)

(LOGIC B ~ MAIN)



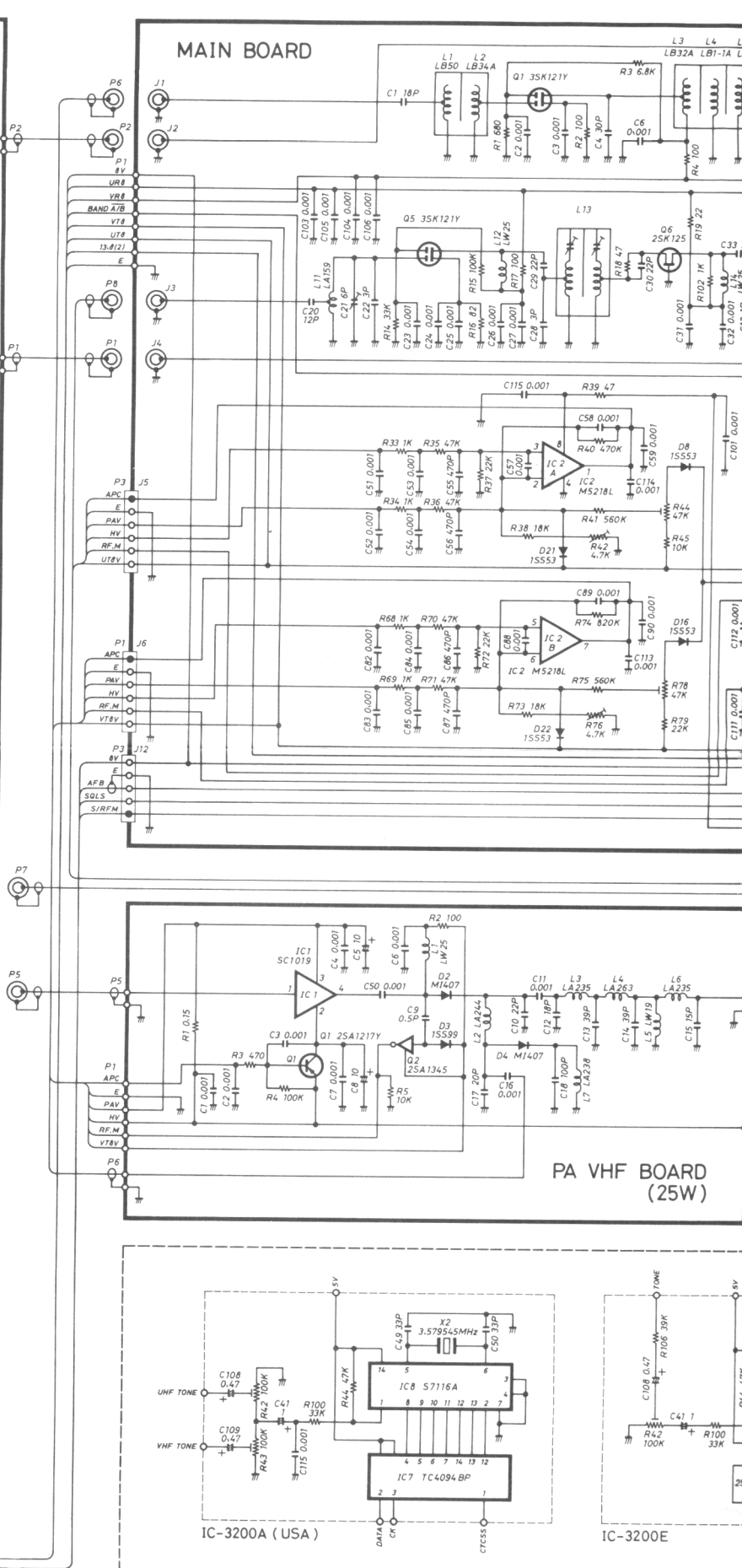
NOTE 2

A	B	OUTPUT
L	L	Q1 VHF RX8V
L	H	Q2 UHF RX8V
H	L	Q3 VHF TX 9V 13.8V
H	H	Q4 UHF TX 9V 13.8V

A'	B'	OUTPUT
L	L	Q1 VHF TX VCO-C
L	H	Q2 UHF TX VCO-C
H	L	Q3 VHF RX VCO-C
H	H	Q4 UHF RX VCO-C

MAIN BOARD



PA VHF BOARD (25W)

IC-3200A (USA)

IC-3200E

